



**SPARE PARTS CATALOGUE
ERSATZTEILKATALOG
CATALOGUE PIECES DETACHEES
CATALOGO PARTI RICAMBIO
CATALOGO DE PIEZAS DE RECAMBIO
CATALOGO PECAS, DE REPOSICAO**

Catalogo parti di ricambio valido
dalla matricola 2687847 ad oggi (17/11/2021)

Catalogue pieces detachees
du numero de Série n. 2687847 jusqu'à aujourd'hui (17/11/2021)

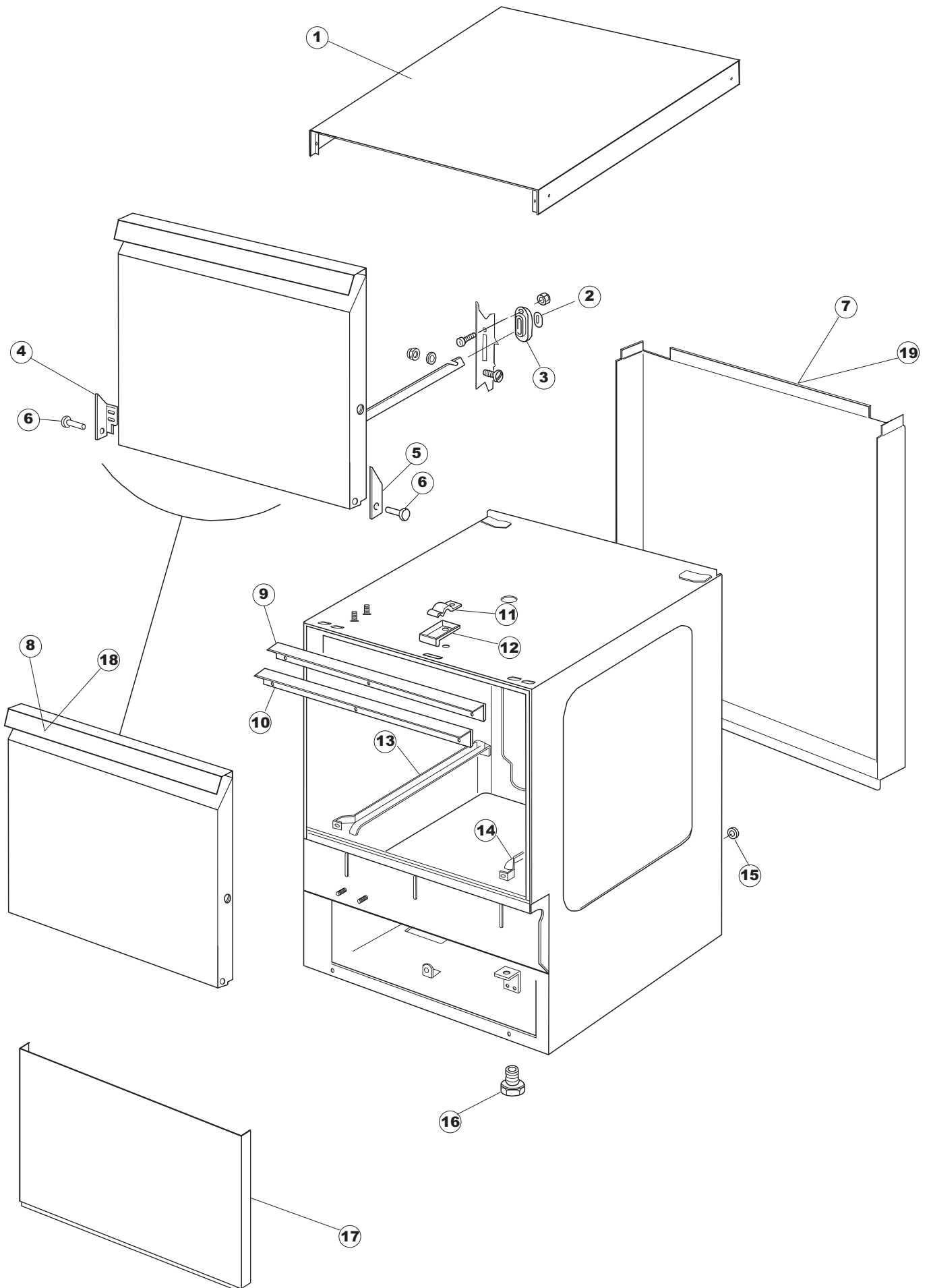
Ersatzteilkatalog
gültig ab Serien-Nr. 2687847 bis heute (17/11/2021)

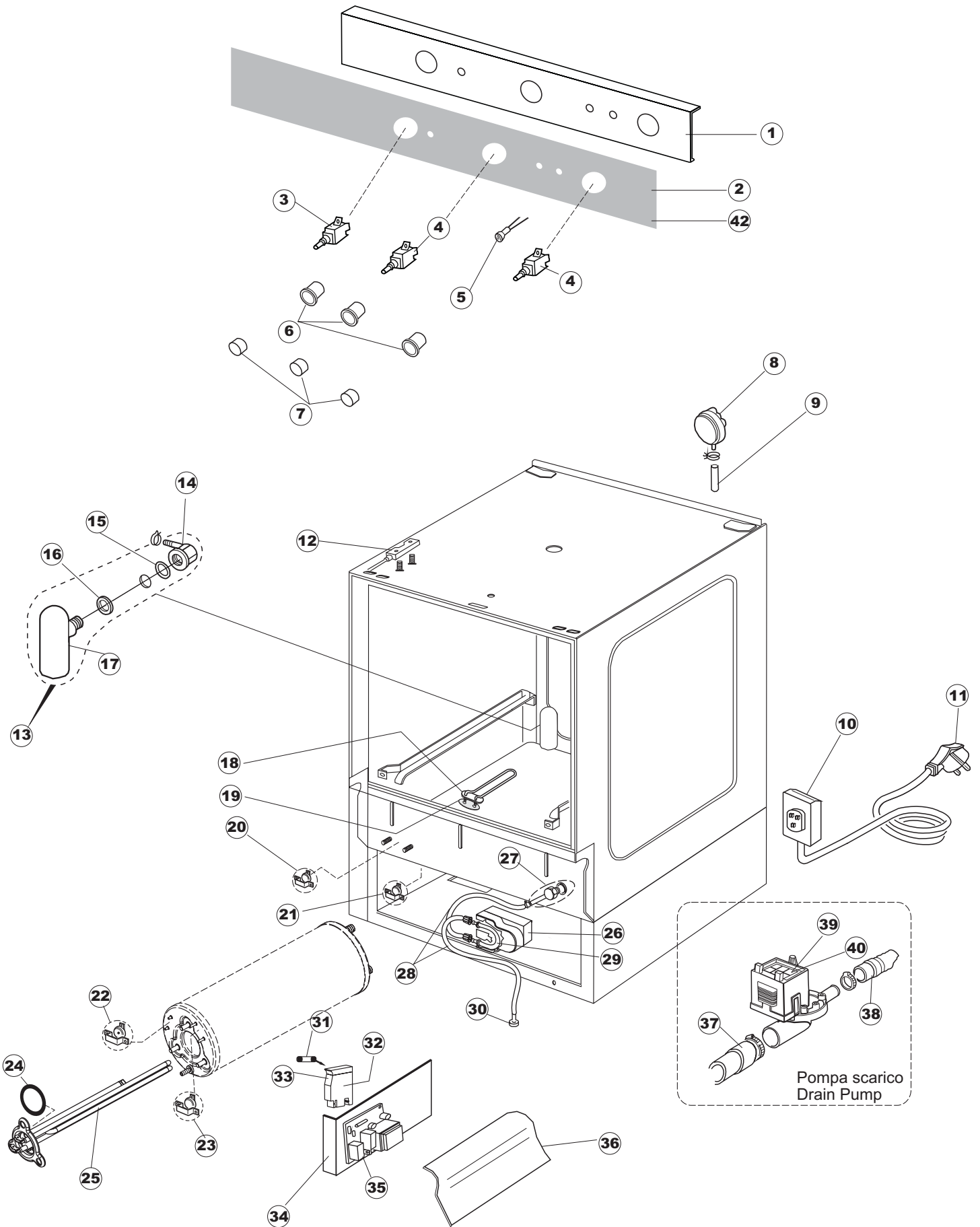
Spare parts catalogue
valid from serial no. 2687847 up today (17/11/2021)

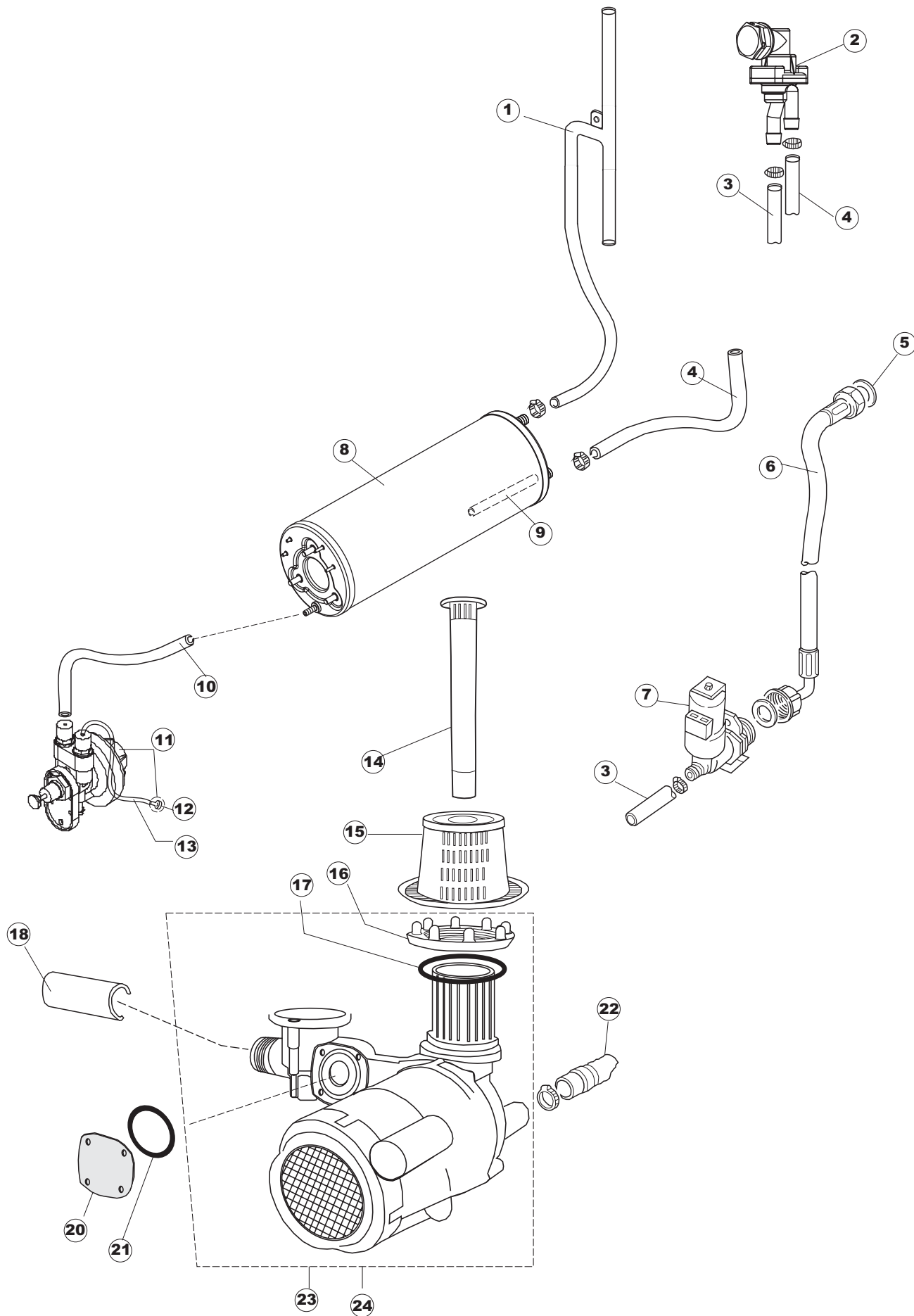
Catálogo de peças de reposição
válido do número de série 2687847 até hoje (17/11/2021)

VP2840

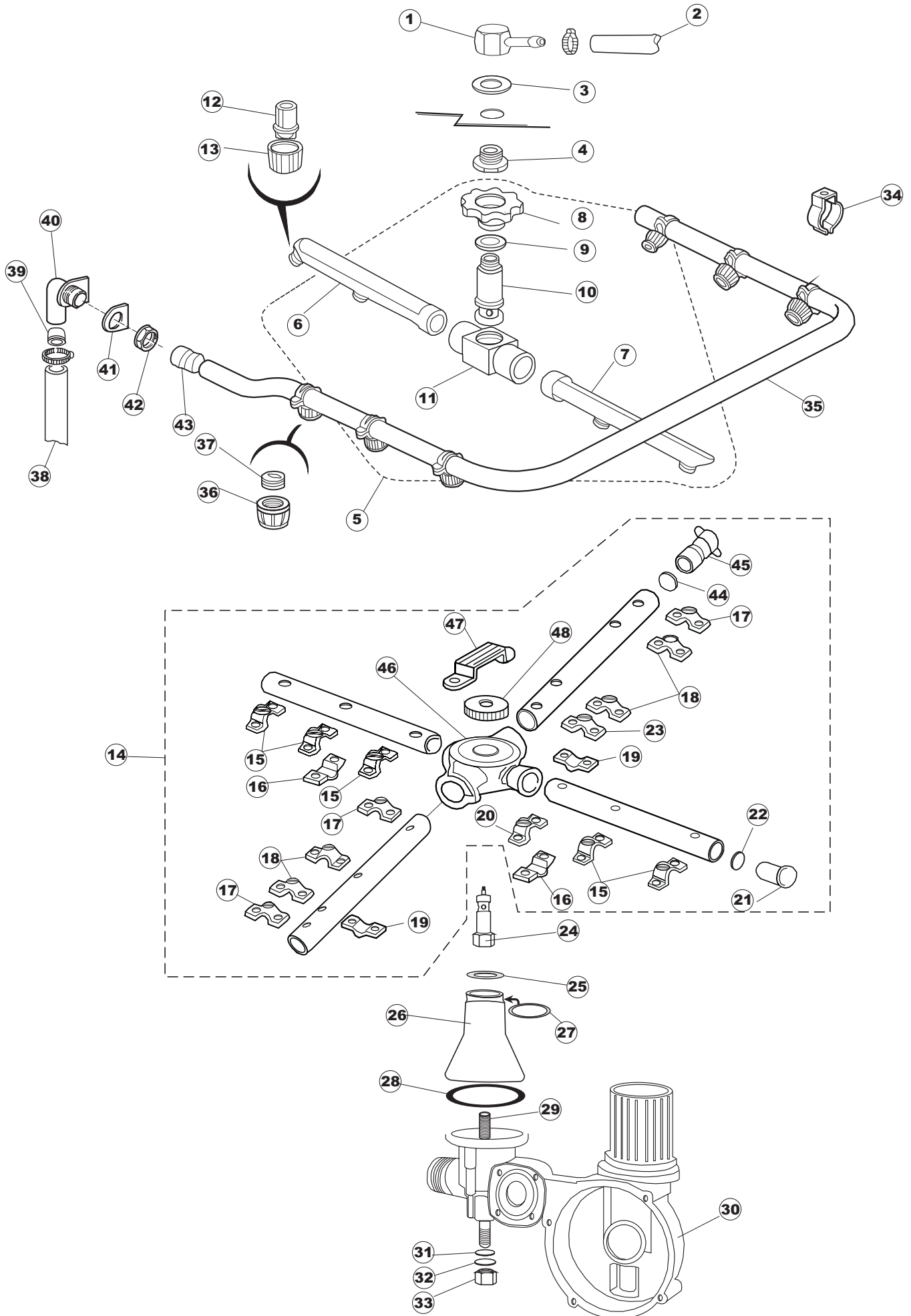
1

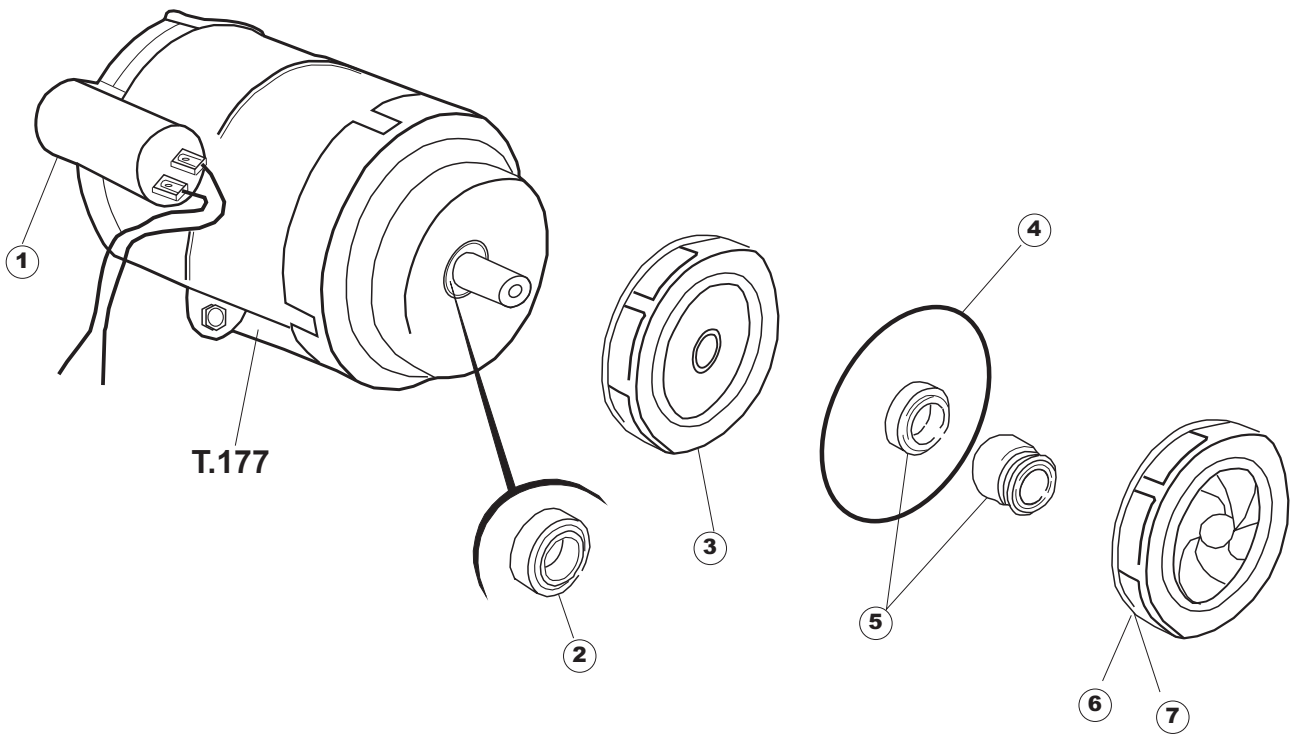






4





(*) Recommended spare part.

Page	Spare part position	Spare part code no.	Old code number	Description	U.m.
1	1	004090		TOP PANEL	NR
1	2	028078		DOOR SHOULDER PLATE FOR GLASSWASHER	NR
1	3	307005		ROD OF TOP DOOR-STOP BAR	NR
1	4	311009		RIGHT DOOR HINGE FOR GLASSWASHERS	NR
1	5	311008		RIGHT DOOR HINGE FOR GLASSWASHERS	NR
1	6	325034		PIVOT	NR
1	7	022128		BACK PANEL	NR
1	8	029340		PRICE TO BE DEFINED (PART NR. REPLACED BY 029677)	
1	8	029677		DOOR	NR
1	9	437058		DOOR GASKET FOR GLASSWASHER	NR
1	10	033294		DOOR GASKET BRACKET FOR GLASSWASHER	NR
1	11	449036		DOOR LOCK SPRING FOR GLASSWASHERS	NR
1	12	329012		DOOR LOCK FOR GLASSWASHERS	NR
1	13	015039		LEFT RACK SLIDE	NR
1	14	015038		RIGHT RACK SLIDE	NR
1	15	459006		CHOCK D INT 9 EST 16	NR
1	16	461010		HEXAGONAL FOOT FOR GLASSWASHER (PART NR. REPLACED BY 461031)	
1	16	461031		HEXAGONAL FOOT FOR GLASSWASHER	NR
1	17	012188		PART NUMBER NO LONGER AVAILABLE	
1	18	029407		COMPLETE DOOR B240 H. (PART NR. REPLACED BY 029678)	
1	18	029678		DOOR	NR
1	19	022137		BACK PANEL	NR
2	1	025816		PRICE TO BE DEFINED	
2	2	025972		POLYESTERE CONTROL PANEL VP2640 INFRICO	NR
2	3	208010		DOUBLE SWITCH	NR
2	4	226071		CYCLE PUSH-BUTTON - 2 CONTACTS	NR
2	5	216025		LAMP	NR
2	6	226096		PUSH BUTTON CASE	NR
2	7	227050		PART NUMBER NO LONGER AVAILABLE	
2	8	224004		PRESSURE SWITCH 35/17	NR
2	9	143013		PIPE	MT
2	10	459018		PART NUMBER NO LONGER AVAILABLE	

(*) Recommended spare part.

Page	Spare part position	Spare part code no.	Old code number	Description	U.m.
2	11	299040		PLUG SCHUCKO 90- CABLE 1=2,5 MT	NR
2	12	80871		MAGNETIC DOOR SWITCH	NR
2	13	984005		AIR TRAP, ASSY	NR
2	14	468029		AIR TRAP CONNECTION OF PRESSURE SWITCH	NR
2	15	456020		O-RING	NR
2	16	437019		PACKING FOR AIR TRAP OF PRESSURE SWITCH	NR
2	17	107005		AIR TRAP FOR PRESSURE SWITCH	NR
2	18	230098		TANK HEATING ELEMENT	NR
2	19	437086		PACKING OF THE TANK RESISTANCE	NR
2	20	236035		CONTACT THERMOSTAT TANK	NR
2	21	236047		SAFETY TANK THERMOSTAT 95C	NR
2	22	236039		SAFETY THERMOSTAT FOR BOILER	NR
2	23	236048		WORKING BOILER THERMOSTATE 80	NR
2	24	456075		O-RING	NR
2	25	230113		HEATING ELEMENT	NR
2	26	209021		DETERGENT AID PUMP (PART NR. REPLACED BY 209029)	
2	26	209029		DETERGENT DISPENSER	NR
2	27	468151		PRICE TO BE DEFINED (PART NR. REPLACED BY 999348)	
2	27	999348		DETERGENT TANK FITTING	NR
2	28	143194		PIPE	MT
2	29	143219		"SANTOPRENE" PIPE	NR
2	30	121075		PRICE TO BE DEFINED (PART NR. REPLACED BY 121993)	
2	30	121993		FILTER AID DISPENSER	NR
2	31	228010		FUSE	NR
2	32	210011		PLATE	NR
2	33	210010		FUSE-HOLDER	NR
2	34	035045		PRICE TO BE DEFINED (PART NR. REPLACED BY 035114)	
2	34	035114		.	NR
2	35	215029		PRICE TO BE DEFINED (PART NR. REPLACED BY 215038)	
2	35	215038		MAIN BOARD	NR
2	36	214077		TRANSP. SAFETY PLATE 44	NR
2	37	127054		DRAIN HOSE	NR

(*) Recommended spare part.

Page	Spare part position	Spare part code no.	Old code number	Description	U.m.
2	38	143137		DRAIN HOSE	NR
2	39	130123		PRICE TO BE DEFINED (PART NR. REPLACED BY 999364)	
2	39	999364		DRAIN PUMP + BRACKET 220/240-50HZ	NR
2	40	450002		TOWING MOTOR	NR
2	42	025975		POLYESTERE CONTROL PANEL VP2840 INFRICO	NR
3	1	143239		PIPE	NR
3	2	144010		NON RETURN VALVE (PART NR. REPLACED BY 144010NT)	
3	2	144010NT		NON-RETURN VALVE	NR
3	3	143236		PIPE	NR
3	4	143237		PIPE	NR
3	5	437041		GASKET	NR
3	6	929169		PRICE TO BE DEFINED (PART NR. REPLACED BY 143270)	
3	6	143270		INLET WRAS PIPE	NR
3	7	240011		FILL VALVE	NR
3	8	104056		BOILER	NR
3	9	143228		PIPE	NR
3	10	143005		LINEN RUBBER PIPE 5X12 - BLACK	MT
3	11	209025		PRICE TO BE DEFINED (PART NR. REPLACED BY 999323)	
3	11	999323		KIT RINSE AID-DISPENSER	NR
3	12	121017		PRICE TO BE DEFINED	
3	13	H.775601		PIPE	MT
3	14	142051		OVERFLOW PIPE	NR
3	15	121100		PRICE TO BE DEFINED (PART NR. REPLACED BY 121144)	
3	15	121144		PUMP ASPIRATION FILTER	NR
3	16	429065		RING NUT	NR
3	17	437079		GASKET	NR
3	18	127053		UPPER ASSEMBLY	NR
3	20	480087		PLUG	NR
3	21	437078		GASKET	NR
3	22	143120		DRAIN HOSE	NR
3	23	999135		WASH-BODY UNIT AND PUMP 50HZ	NR
3	24	999137		WASH-BODY UNIT AND PUMP 60HZ	NR

(*) Recommended spare part.

Page	Spare part position	Spare part code no.	Old code number	Description	U.m.
4	1	468165		UPPER RINSE PIPE CONNECTOR	NR
4	2	143239		PIPE	NR
4	3	437078		GASKET	NR
4	4	429050		RING NUT	NR
4	5	993031		RINSE ASSEMBLY	NR
4	6	106035		LEFT RINSE ARM	NR
4	7	106036		RIGHT RINSE ARM	NR
4	8	429008		RING NUT	NR
4	9	437008		PACKING FOR RINSING - UPPER	NR
4	10	325001		PIVOT	NR
4	11	129002		RINSE-ARM SUPPORT - UPPER	NR
4	12	140007		RINSE-NOZZLE FOR GLASSWASHER (S6514)	NR
4	13	429006		RING NUT	NR
4	14	990106		PRICE TO BE DEFINED	
4	15	926133		PLASTIC RINSE BAND-NOZZLE -	NR
4	16	926131		BOTTOM CLAMP FOR RINSE NOZZLE	NR
4	17	926170		PRICE TO BE DEFINED	
4	18	926169		PRICE TO BE DEFINED	
4	19	926171		PLASTIC SUPPORT WASH JET	NR
4	20	926168		PLASTIC SUPPORT RINSE ARM	NR
4	21	926132		PLASTIC RINSE ARM CAP	NR
4	22	456030		O-RING	NR
4	23	926173		PLASTIC SUPPORT WASH ARM	NR
4	24	325064		PRICE TO BE DEFINED	
4	25	199052		SHUTTER WATER CIRCULAR	NR
4	26	115110		MAIN MANIFOLD	NR
4	27	303018		SEALING AND SLIDING RING CL.3	NR
4	28	456061		O-RING	NR
4	29	478056		SUPPORT FOR WASHING PIN COMB FOR GLASSWA	NR
4	30	111023		LOWER ASSEMBLY FOR GLASSWASHER	NR
4	31	456019		O-RING	NR
4	32	456006		O-RING	NR

(*) Recommended spare part.

Page	Spare part position	Spare part code no.	Old code number	Description	U.m.
4	33	417104		PART NUMBER NO LONGER AVAILABLE	
4	34	449045		UPPER WASH-ARM RETAINING CLIP	NR
4	35	129053		TOP WASH ARM	NR
4	36	140010		WASH-NOZZLE FOR GLASSWASHER (S6515)	NR
4	37	119003		WASH JET IMPELLER FOR GLASSWASHER	NR
4	38	127053		UPPER ASSEMBLY	NR
4	39	199051		UPPER PLAST.PRESSURE DISTRIBUTION E40	NR
4	40	111026		UPPER MANIFOLD	NR
4	41	437080		GASKET	NR
4	42	417038		NUT FOR WASHING MANIFOLD	NR
4	43	441010		SEALING INSERT	NR
4	44	456042		PACKING FOR SUPPORT PIN FOR RACK-HOLDER	NR
4	45	926172		PART NUMBER NO LONGER AVAILABLE	
4	46	129057		ARM BODY	NR
4	47	412028		SAFETY CATCH	NR
4	48	454004		RING NUT	NR
5	1	206009		CAPACITOR	NR
5	2	314009		WASH-PUMP BEARING	NR
5	3	315024		PRICE TO BE DEFINED	
5	4	456074		O-RING	NR
5	5	141007		WASH PUMP SHAFT SEAL FOR GLASSWASHER	NR
5	6	124049		ELECTROPUMP IMPELLER	NR
5	7	124051		ELECTROPUMP IMPELLER	NR